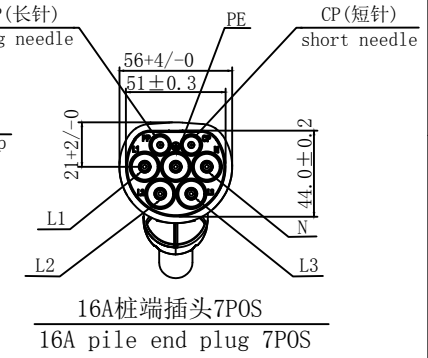
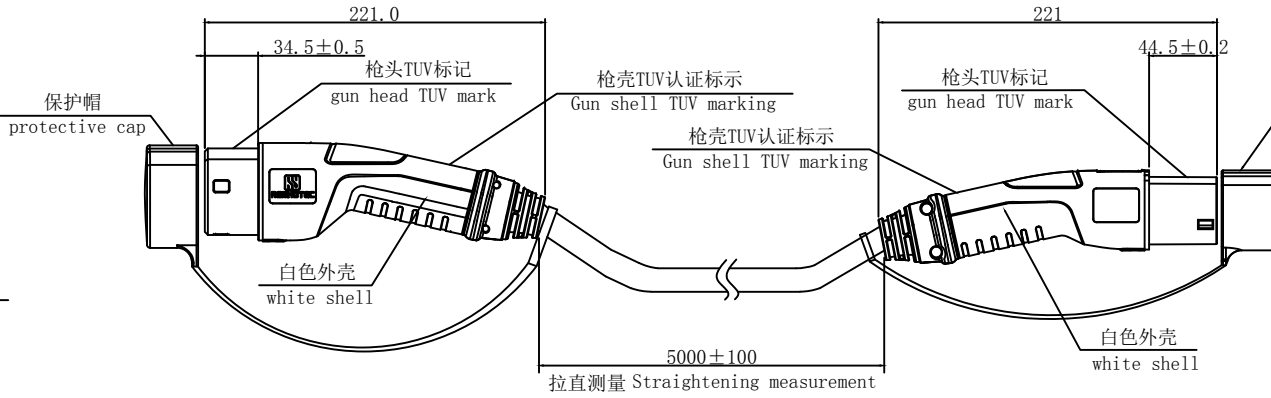
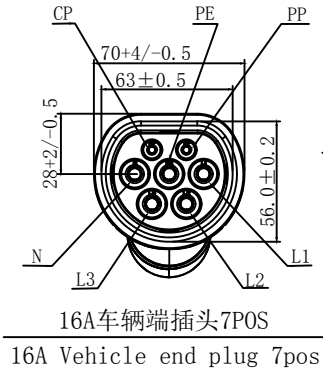




Product NO.		RHT-702-0111		
ISSUE	DESCRIPTION	DWN	DATE	APPROVEN
R1.0	First issue	xiong	2022/07/01	JIM. KING



枪壳打标 (左侧):
Gun shell marking(left side):



枪壳打标 (右侧):
Gun shell marking(right side):

Renhao Weiye Technology (Wuhan) Co., Ltd
Name: vehicle connector
Number: EVT-321
Specification: 32A 480V AC
IP class: IP54
Standard: IEC62196. 2-2016

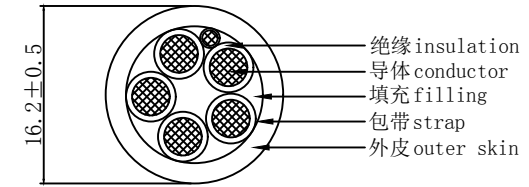
枪壳打标 (左侧):
Gun shell marking(left side):



枪壳打标 (右侧):
Gun shell marking(right side):

Renhao Weiye Technology (Wuhan) Co., Ltd
Name: plug
Number: EPT-321
Specification: 32A 480V AC
IP class: IP54
Standard: IEC62196. 2-2016

PP	R1=220Ω RC=220Ω	PP
PE	6mm ² 黄绿色	PE (Yellow green)
L1	6mm ² 灰色	L1 (Grey)
L2	6mm ² 黑色	L2 (Black)
L3	6mm ² 棕色	L3 (Brown)
N	6mm ² 蓝色	N (Blue)
CP	6mm ² 红色	CP (Red)



充电枪线缆: 5X6mm²+1X0.5mm² 黑色外皮
Charging gun cable: 5X6mm²+1X0.5mm² black

技术参数 technical parameter	
额定电压 Rated voltage	480V AC
额定电流 Rated current	16A
环境温度 ambient temperature	From -30°C to +50°C
绝缘电阻 Insulation resistance	L1、N与(and)PE 1000V DC, 测试(test)60S, 绝缘电阻(insulation resistance)>1000Ω
耐电压 Withstand voltage	L1、N与(and)PE 2500V AC, 测试(test)60S, 漏电流(leakage current)<5mA
防护等级 Protection class	IP54
机械寿命 Mechanical life	空载插拔>10000次
插拔力	<100N

-TOLERANCES- UNLESS OTHERWISE SPECIFIED	RENHOTEC GROUP	
	PART DESCRIPTION: 32A European standard three-phase AC double-head gun	
UNLESS OTHERWISE SPECIFIED TOLERANCES FOR MILLIMETERS ARE: 0.5 - 8mm ± 0.20mm 8 - 30mm ± 0.25mm 30 - 120mm ± 0.30mm	Appr: JIM. KING	P/N: RHT-702-0111
	Check:	Date Scale Unit Type Page
Draw: XIONG	2022.07.01	Free MM Z 1/1