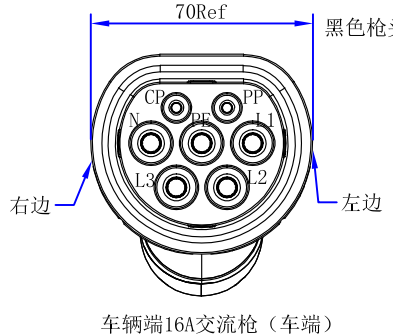
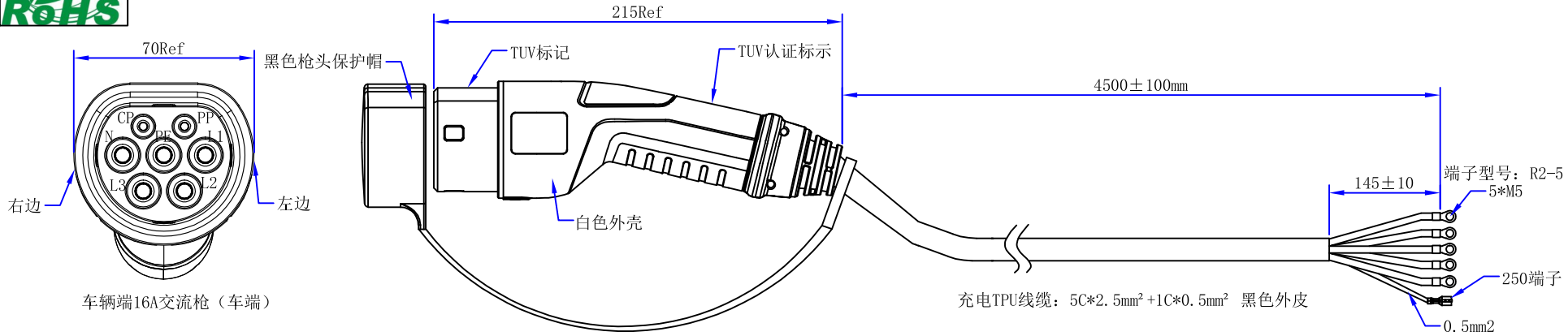




Product NO.		RHT-702-0010		
ISSUE	DESCRIPTION	DWN	DATE	APPROVEN
R1.0	First issue	Nick	2021.12.28	JIM.KING



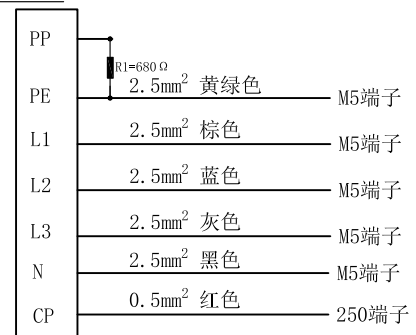
枪壳打标 (左侧):



枪壳打标 (右侧):

Renhao Weiye Technology (Wuhan) Co., Ltd
 Name: vehicle connector
 Number: EVT-16X
 Specification: 16A 480V AC
 IP class: IP54
 Standard: IEC62196.2-2016

接线图:



技术参数	
额定电压	480V AC
额定电流	16A
环境温度	From -30°C to +50°C
绝缘电阻	L、N与PE 1000V DC, 测试60S, 绝缘电阻>1000MΩ
耐电压	L、N与PE 2500V AC, 测试60S, 漏电流<5mA
防护等级	IP54
机械寿命	空载插拔 >10000次
插拔力(非锁止状态)	<100N

-TOLERANCES- UNLESS OTHERWISE SPECIFIED	RENHOTEC GROUP					
	PART DESCRIPTION: 16A欧标三相(车端)交流枪					
UNLESS OTHERWISE SPECIFIED TOLERANCES FOR MILLIMETERS ARE: 0.5 - 8mm ± 0.20mm 8 - 30mm ± 0.25mm 30 - 120mm ± 0.30mm	Appr: JIM.KING	P/N: RHT-702-0010				
	Check:	Date	Scale	Unit	Type	Page
	Draw: Nick	2021.12.28	Free	MM	Z	1/1