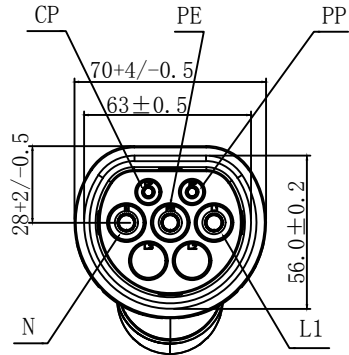
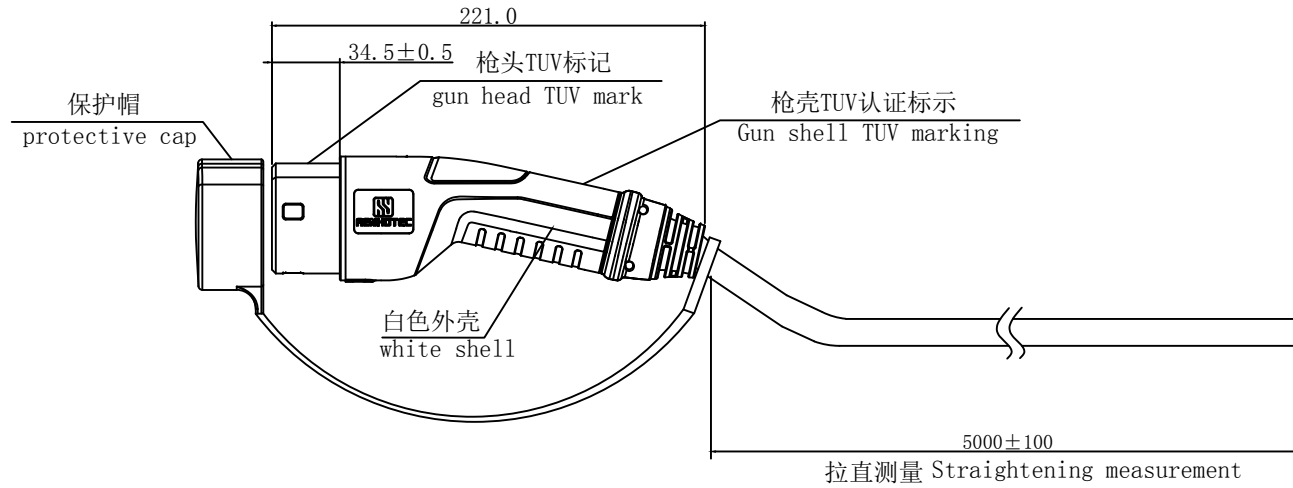




Product NO.		RHT-702-0100		
ISSUE	DESCRIPTION	DWN	DATE	APPROVEN
R1.0	First issue	xiong	2022/07/01	JIM. KING

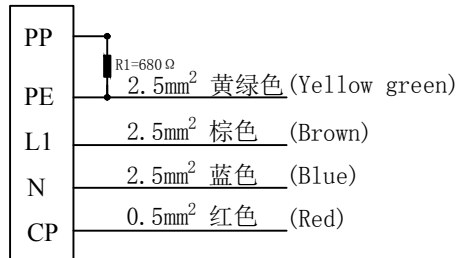


16A车辆端插头5POS
16A Vehicle end plug 5pos



接线图

Wiring diagram

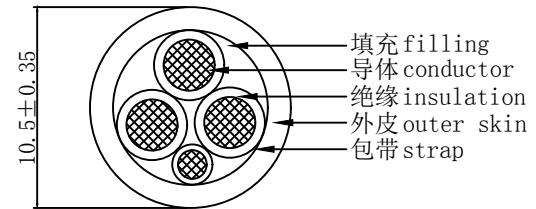


枪壳打标 (左侧):
Gun shell marking (left side):



枪壳打标 (右侧):
Gun shell marking (right side):

Renhao Weiye Technology (Wuhan) Co., Ltd
Name: vehicle connector
Number: EVS-201
Specification: 20A 250V AC
IP class: IP54
Standard: IEC62196.2-2016



充电枪线缆: 3X2.5mm²+1X0.5mm² 黑色外皮
Charging gun cable: 3X2.5mm²+1X0.5mm² black

技术参数 technical parameter

额定电压 Rated voltage	250V AC
额定电流 Rated current	16A
环境温度 ambient temperature	From -30°C to +50°C
绝缘电阻 Insulation resistance	L1、N与(and)PE 1000V DC, 测试(test)60S, 绝缘电阻(insulation resistance)>1000MΩ
耐电压 Withstand voltage	L1、N与(and)PE 2500V AC, 测试(test)60S, 漏电流(leakage current)<5mA
防护等级 Protection class	IP54
机械寿命 Mechanical life	空载插拔>10000次
插拔力 Insertion force	<100N

-TOLERANCES- UNLESS OTHERWISE SPECIFIED	仁昊伟业 RENHOTEC GROUP	
	PART DESCRIPTION: 16A European standard single-phase vehicle AC gun	
UNLESS OTHERWISE SPECIFIED TOLERANCES FOR MILLIMETERS ARE: 0.5 - 8mm ± 0.20mm 8 - 30mm ± 0.25mm 30 - 120mm ± 0.30mm	Appr: JIM. KING	P/N: RHT-702-0100
	Check:	Date Scale Unit Type Page
Draw: XIONG	2022.07.01	Free MM Z 1/1