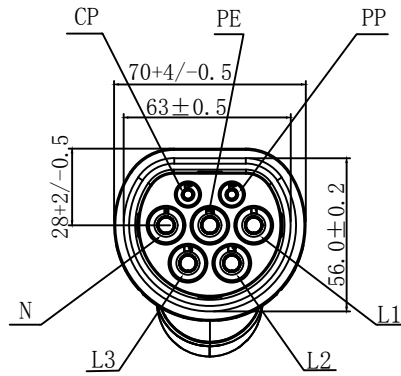




Product NO.		RHT-702-0101			
ISSUE	DESCRIPTION	DWN	DATE	APPROVEN	
R1.0	First issue	xiong	2022/07/01	JIM. KING	

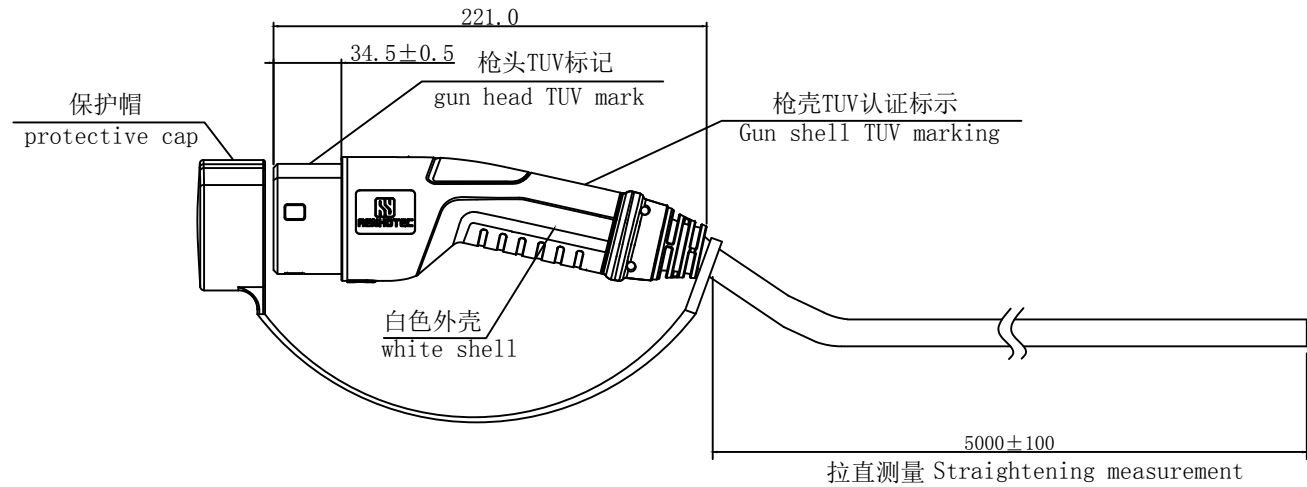


16A车辆端插头7POS  
16A Vehicle end plug 7pos

接线图

Wiring diagram

PP	$R1=680\Omega$	2.5mm <sup>2</sup> 黄绿色 (Yellow green)
PE		2.5mm <sup>2</sup> 灰色 (Grey)
L1		2.5mm <sup>2</sup> 黑色 (Black)
L2		2.5mm <sup>2</sup> 棕色 (Brown)
L3		2.5mm <sup>2</sup> 蓝色 (Blue)
N		0.5mm <sup>2</sup> 红色 (Red)
CP		

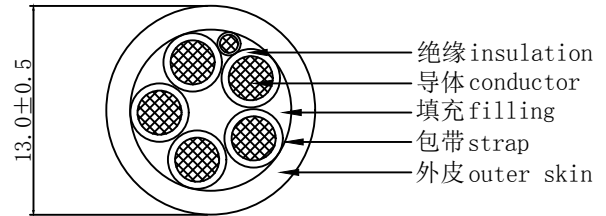


枪壳打标 (左侧):  
Gun shell marking (left side):



枪壳打标 (右侧):  
Gun shell marking (right side):

Renhao Weiye Technology (Wuhan) Co., Ltd  
Name: vehicle connector  
Number: EVT-201  
Specification: 20A 480V AC  
IP class: IP54  
Standard: IEC62196.2-2016



充电枪线缆: 5X2.5mm<sup>2</sup>+1X0.5mm<sup>2</sup> 黑色外皮  
Charging gun cable: 5X2.5mm<sup>2</sup>+1X0.5mm<sup>2</sup> black

技术参数 technical parameter

额定电压 Rated voltage	480V AC
额定电流 Rated current	16A
环境温度 ambient temperature	From -30°C to +50°C
绝缘电阻 Insulation resistance	L1、N与 (and) PE 1000V DC, 测试 (test) 60S, 绝缘电阻 (insulation resistance) >1000MΩ
耐电压 Withstand voltage	L1、N与 (and) PE 2500V AC, 测试 (test) 60S, 漏电流 (leakage current) <5mA
防护等级 Protection class	IP54
机械寿命 Mechanical life	空载插拔 >10000次
插拔力 Insertion force	<100N

-TOLERANCES- UNLESS OTHERWISE SPECIFIED			<b>RENHOTEC GROUP</b>			
	PART DESCRIPTION: 16A European standard three-phase vehicle AC gun		P/N: RHT-702-0101			
UNLESS OTHERWISE SPECIFIED TOLERANCES FOR MILLIMETERS ARE: 0.5 - 8mm ± 0.20mm 8 - 30mm ± 0.25mm 30 - 120mm ± 0.30mm	Appr:	JIM. KING	Date	Scale	Unit	Type
	Check:		2022.07.01	Free	MM	Z
	Draw:	XIONG				