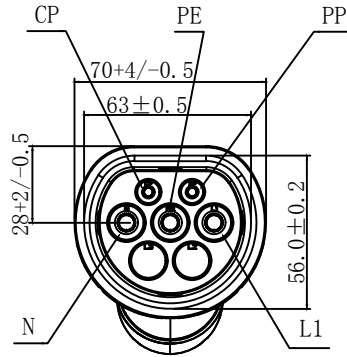
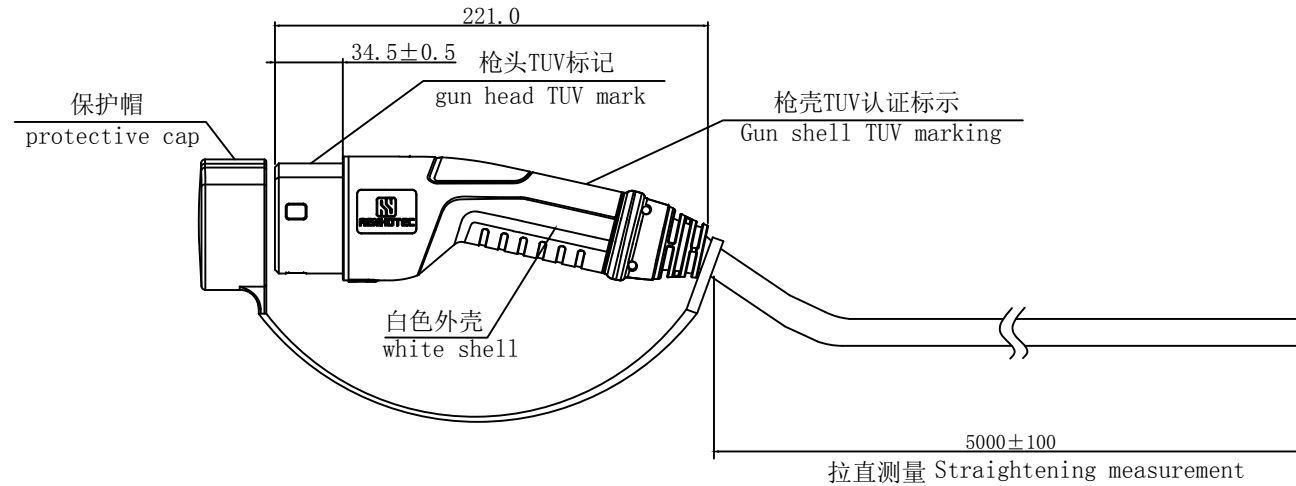




Product NO.		RHT-702-0102			
ISSUE	DESCRIPTION	DWN	DATE	APPROVEN	
R1.0	First issue	xiong	2022/07/01	JIM. KING	

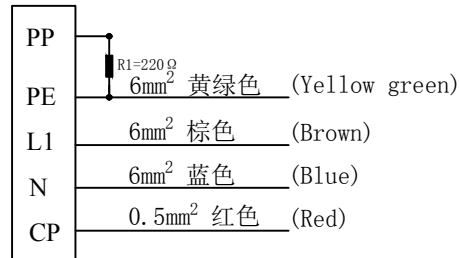


32A车辆端插头5POS  
32A Vehicle end plug 5pos



接线图

Wiring diagram

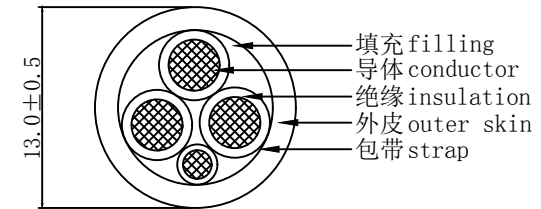


枪壳打标 (左侧):  
Gun shell marking (left side):



枪壳打标 (右侧):  
Gun shell marking (right side):

Renhao Weiye Technology (Wuhan) Co., Ltd  
Name: vehicle connector  
Number: EVS-321  
Specification: 32A 250V AC  
IP class: IP54  
Standard: IEC62196.2-2016



充电枪线缆: 3X6mm²+1X0.5mm² 黑色外皮  
Charging gun cable: 3X6mm²+1X0.5mm² black

技术参数 technical parameter

额定电压 Rated voltage	250V AC
额定电流 Rated current	32A
环境温度 ambient temperature	From -30°C to +50°C
绝缘电阻 Insulation resistance	L1、N与(and)PE 1000V DC, 测试(test)60S, 绝缘电阻(insulation resistance)>1000MΩ
耐电压 Withstand voltage	L1、N与(and)PE 2500V AC, 测试(test)60S, 漏电流(leakage current)<5mA
防护等级 Protection class	IP54
机械寿命 Mechanical life	空载插拔>10000次
插拔力 Insertion force	<100N

-TOLERANCES- UNLESS OTHERWISE SPECIFIED	仁昊伟业 RENHOTEC GROUP					
	PART DESCRIPTION: 32A European standard single-phase vehicle AC gun					
UNLESS OTHERWISE SPECIFIED TOLERANCES FOR MILLIMETERS ARE: 0.5 - 8mm ± 0.20mm 8 - 30mm ± 0.25mm 30 - 120mm ± 0.30mm	Appr: JIM. KING	P/N: RHT-702-0102				
	Check:	Date	Scale	Unit	Type	Page
	Draw: XIONG	2022.07.01	Free	MM	Z	1/1