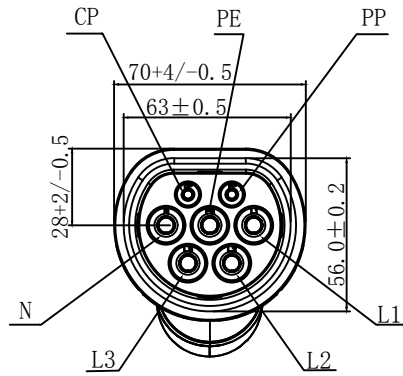




Product NO.		RHT-702-0103			
ISSUE	DESCRIPTION	DWN	DATE	APPROVEN	
R1.0	First issue	xiong	2022/07/01	JIM. KING	

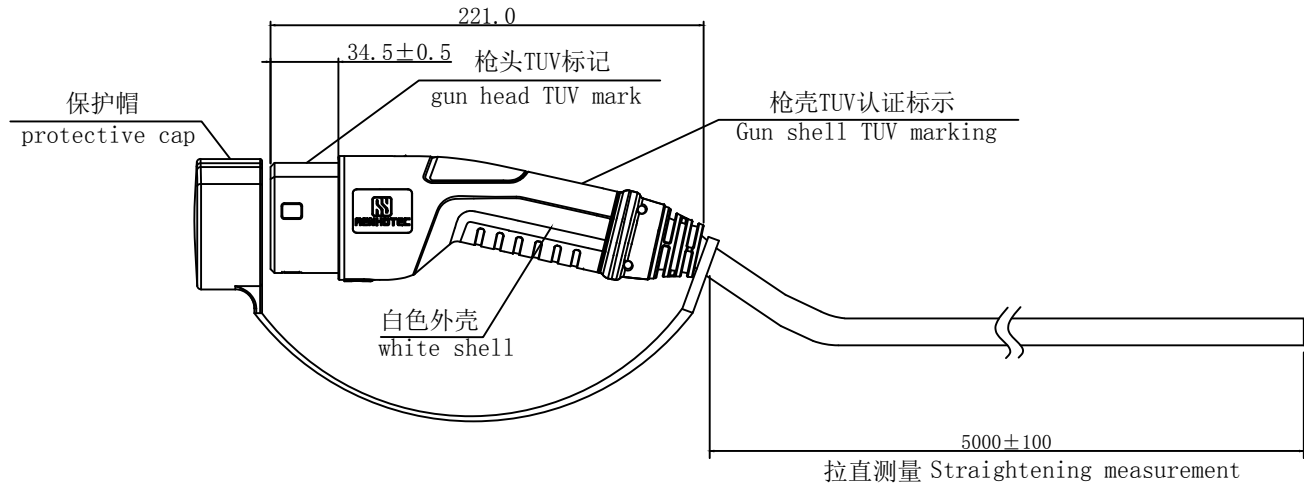


32A车辆端插头7POS
32A Vehicle end plug 7pos

接线图

Wiring diagram

PP	$R1=220\Omega$	
PE	6mm ² 黄绿色 (Yellow green)	
L1	6mm ² 灰色 (Grey)	
L2	6mm ² 黑色 (Black)	
L3	6mm ² 棕色 (Brown)	
N	6mm ² 蓝色 (Blue)	
CP	0.5mm ² 红色 (Red)	

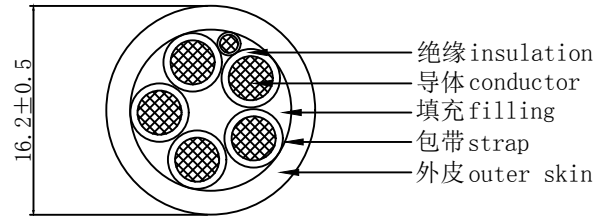


枪壳打标 (左侧):
Gun shell marking(left side):



枪壳打标 (右侧):
Gun shell marking(right side):

Renhao Weiye Technology (Wuhan) Co., Ltd
Name: vehicle connector
Number: EVT-321
Specification: 32A 480V AC
IP class: IP54
Standard: IEC62196.2-2016



充电枪线缆: 5X6mm²+1X0.5mm² 黑色外皮
Charging gun cable: 5X6mm²+1X0.5mm² black

技术参数 technical parameter

额定电压 Rated voltage	480V AC
额定电流 Rated current	32A
环境温度 ambient temperature	From -30°C to +50°C
绝缘电阻 Insulation resistance	L1、N与(and)PE 1000V DC, 测试(test)60S, 绝缘电阻(insulation resistance)>1000MΩ
耐电压 Withstand voltage	L1、N与(and)PE 2500V AC, 测试(test)60S, 漏电流(leakage current)<5mA
防护等级 Protection class	IP54
机械寿命 Mechanical life	空载插拔>10000次
插拔力 Insertion force	<100N

-TOLERANCES- UNLESS OTHERWISE SPECIFIED			RENHOTEC GROUP			
	UNLESS OTHERWISE SPECIFIED TOLERANCES FOR MILLIMETERS ARE: 0.5 - 8mm ± 0.20mm 8 - 30mm ± 0.25mm 30 - 120mm ± 0.30mm		PART DESCRIPTION: 32A European standard three-phase vehicle AC gun			
Appr:	JIM. KING	P/N:		RHT-702-0103		
Check:		Date	Scale	Unit	Type	
Draw:	XIONG	2022.07.01	Free	MM	Z	
					Page	
					1/1	